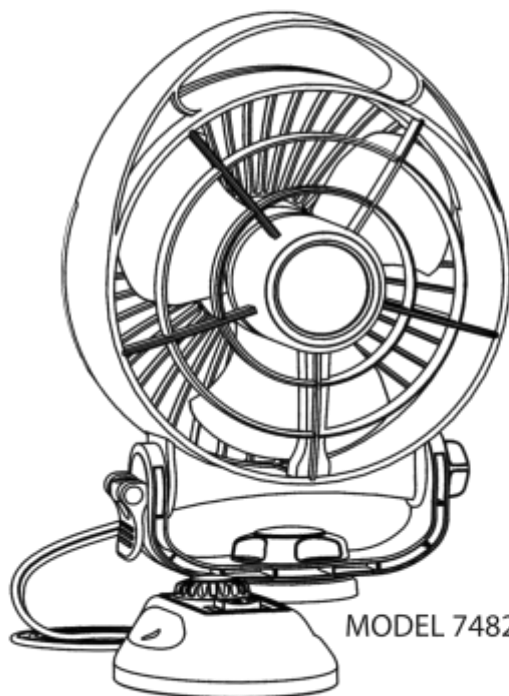


Caframo

Maestro™

VARIABLE SPEED FAN WITH REMOTE PENDANT AND LIGHT
VENTILATEUR À VITESSE VARIABLE AVEC BOÎTIER DE
COMMANDE À DISTANCE ET LUMIÈRE
VENTILADOR DE VELOCIDAD VARIABLE CON CONTROL REMOTO Y LUZ

OPERATING INSTRUCTIONS INSTRUCTIONS DE FONCTIONNEMENT INSTRUCCIONES DE OPERACIÓN



MODEL 7482CA



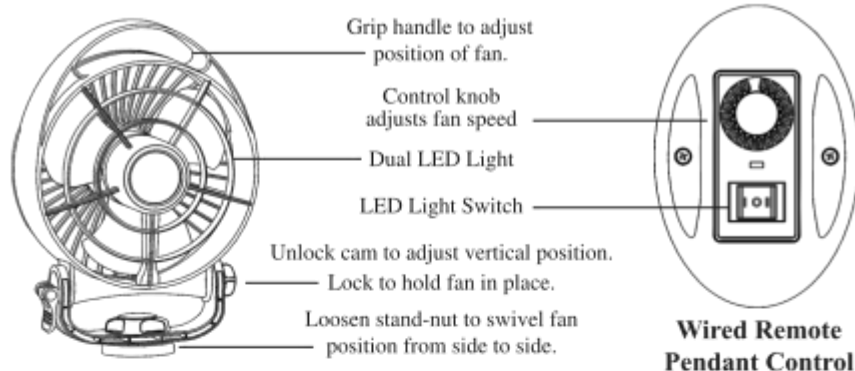
7482CA- WBX white/blanc/blanco 12 V

7482CA- BBX black/blanc/blanco 12 V

Caframo Limited

501273 Grey Road 1, Georgian Bluffs, Ontario N0H 2T0, Canada
Toll Free: 1-800-567-3556 | Phone: 519-534-1080 | Fax: 519-534-1088
www.caframo.com/marine

Thank you for purchasing a Maestro Fan



1. Installation

Determine mounting positions for both the fan and the pendant box.

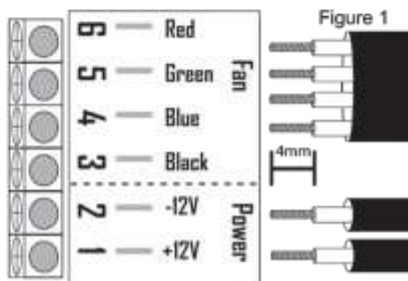
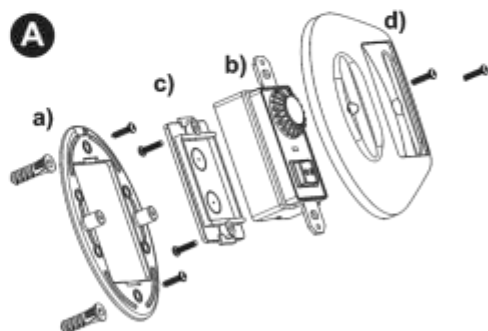
A) Surface Mount: The pendant box can be mounted to a cabin wall with the supplied plastic cover and mounting plate.

B) Flush Mount: The pendant box may also be mounted in a standard single unit electrical box.

WARNING: After installation and before operation ensure all electrical connections and wiring are secure and undamaged. Consult an electrician.

A) Surface Mount option:

1. Mount the fan in the desired location. Secure the fan to the wall with supplied mounting screws and wall anchors.
2. Determine the desired location of the remote pendant.
3. Disassemble pendant to separate mounting plate (a) from cover shell (d).
4. Secure the mounting plate (a) to the cabin wall with two supplied mounting screws and wall anchors.
5. Open pendant box (b) by removing back plate (c). Connect 12VDC supply voltage to the positive and negative (Figure 1) terminals in the box (b).
6. If needed the 10' fan cable can be shortened. As per the wiring diagram (Figure 1) connect the 4 wires of the fan cable to the 4 numbered terminal connections found in the pendant box (b).
Equipment required: Wire cutter, 1/8" (3.5mm) Phillips screwdriver
7. Re-attach the back plate (c) with the two supplied assembly screws.
8. Place box over mounting plate and cover with shell (d). Secure this assembly with two supplied assembly screws.
9. Test for proper function.

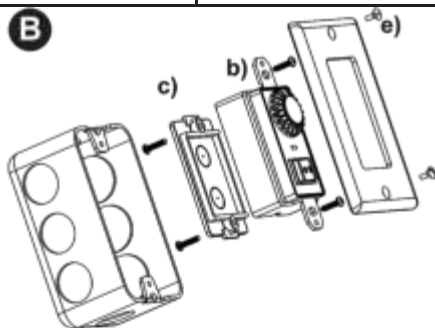


Voltage	CFM 	Current Draw 	Decibel Level 	Current Draw LED White Red
----------------	---	--	---	--

12V	100 -> 130	0.15A -> 0.28A	30dBA -> 47dBA	0.20A 0.15A
-----	------------	----------------	----------------	---------------

B) Flush Mount option.

1. Follow steps 1,2,3,5,6, and 7 from A).
2. Place the assembled (b) box inside the electrical wall box and secure with two wall box screws (not supplied) to the outer pendant box ears.
3. Install a standard wallplate (e) (not supplied) over the pendant box.
4. Test for proper function.



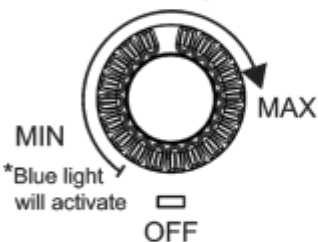
2. Operating Instructions

The fan blade must be clear of any obstructions that would cause the blade to jam. Secure locking cam in position before turning on. Fan speed and lights can be adjusted using the remote pendant controls.

Remote Pendant Control

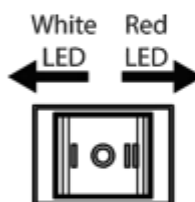
Variable Speed Control:

Rotate the circular knob to achieve desired fan speed.



Dual LED Light Switch:

I - White for area lighting alternative
II - Red night vision



Read and Save These Instructions

Warning:

- Do not position too close to any objects that may be drawn into the blades and stop the airflow.
- Do not use outdoors.
- Do not use on wet surfaces or immerse in water.
- Never allow water to drip into motor housing.
- Do not use if wires become frayed or brittle.
- Do not use near fireplaces, furnaces, stoves or high temperature heat.
- This appliance is not intended for use by persons with reduced physical, sensory or mental capabilities, or lack of experience and knowledge, unless they have been given supervision or instruction concerning use of the appliance by a person responsible for their safety. Children should be supervised to ensure that they do not play with the product

3. Maintenance

The Maestro has no user-serviceable parts.

4. Cleaning

Turn power off to clean. A vacuum can be used to clear the fan of any dust build-up and a dry cloth may be used to wipe the surface. Do not use gasoline, thinners or other harsh chemicals to clean fan.

5. Specifications

Warranty Registration

To register online please visit www.caframo.com/warranty

or complete the form below, detach and mail to:

Caframo Limited, 501273 Grey Road 1, Georgian Bluffs, Ontario N0H 2T0, Canada

*Product: **Maestro** *Date Purchased: _____

*Model Number: **7482CA** *Serial Number: _____

*Customer Name: _____

*Address: _____

*City: _____ *State/Prov: _____

*Country: _____

*Zip/Postal Code: _____ *Phone: _____

* Email: _____

*Where did you purchase this product? _____

Retailer City and State/Province: _____

Please check the correct response.

Is this the first Caframo product you have purchased?

Yes No Don't know

How did you find out about this Caframo product?

In-Store Display Newspaper Sales Clerk Internet
 Magazine Advertising Friend(s) Other

Check the main reason you purchased this product.

Gift Office or work related Personal use

For statistical purpose, please fill in the following:

The purchaser of this product listed above was: Male Female

The age group of purchaser was:

19 and under 20 to 25 26 to 34 35 to 44
 45 to 54 55 to 64 65 to 74 75+

Approximate Family Income of the purchaser:

Under \$19,999 \$20,000 to \$39,999 \$40,000 to \$59,999
 \$60,000 to \$79,999 \$80,000+

Occupation of the purchaser of this product:

Homemaker Upper Management Sales/Marketing
 Student Professional/Technical Retired
 Middle Management Unemployed Farmer
 Tradesmen/Machine Operator/Labourer Other

* Required